

# BRUSHLESS DRIVE

ROAD RACING

WestRock ESC  
WRBLC



**KC Racing 1106 Brushless Motors**  
Factory built with 2mm pinion shaft x 10mm long  
9mm x 9mm mounting



4500Kv  
KCR-1106.4500

3200Kv  
KCR-1106.3200

6500Kv  
KCR-1106.6500

Available Mounting Brackets



KCR-MUFL  
9mmx9mm mount  
1100 Seies Motor

KCR-MUAC  
9mmx9mm mount  
1100 Seies Motor

KCR-MUAO  
9mmx9mm mount  
1100 Seies Motor

KCR-MUAA  
9mmx9mm mount  
1100 Seies Motor

KCR-MUAB  
12mmx12mm mount  
1400 Seies Motor

# BRUSHLESS DRIVE

DRAG RACING

Castle Creations - Talon 25 ESC

KCR-T25P  
Set up for  
drag racing



**KC Racing 1404 Brushless Motors**  
Factory built with 2mm shaft x 10mm long  
12mm x 12mm mounting

Available in three ratings

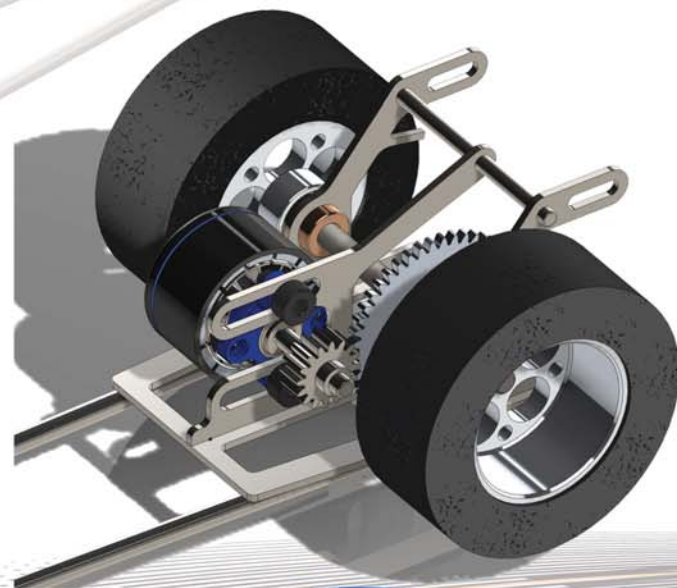
2800 Kv - KCR-1404.2800

3300 Kv - KCR-1404.3300

4100 Kv - KCR-1404.4100



# BRUSHLESS SLOT CAR PRODUCTS



Post your completed cars on the KC Racing Facebook page at: [www.facebook.com/groups/KCRacing](http://www.facebook.com/groups/KCRacing)

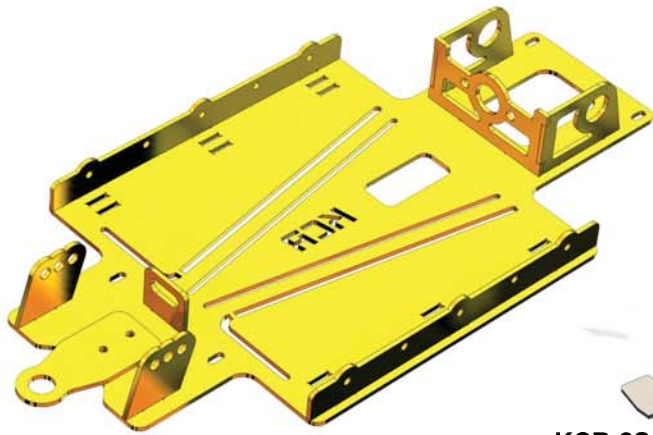
120923 - 250

© 2023

[www.KCRacing.net](http://www.KCRacing.net)

# CHASSIS KITS

All chassis are kits tubing and rods are customer supplied

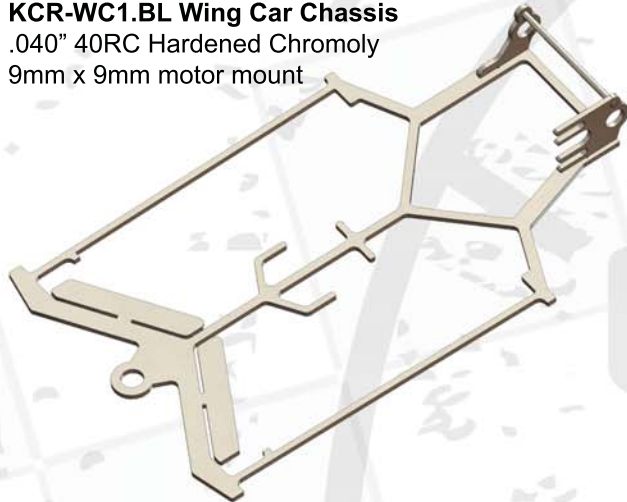


## KCR-C724 Hardbody Brass Chassis KCR-C724.BL BRUSHLESS MOTOR

.040" Brass - Five (5) wheelbase combinations, three (3) body widths  
Brushless wib 9mm x 9mm mount

## KCR-WC1.BL Wing Car Chassis

.040" 40RC Hardened Chromoly  
9mm x 9mm motor mount

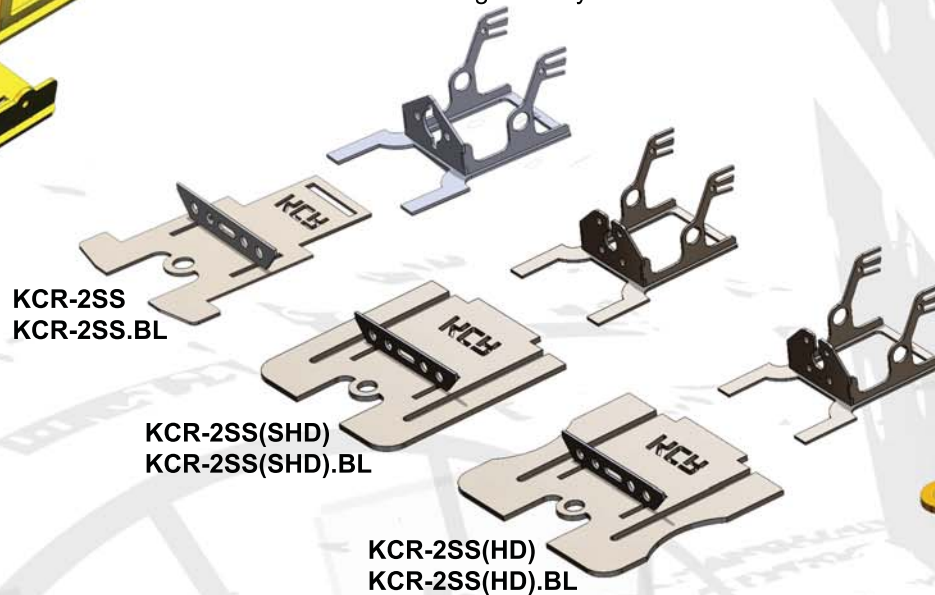


# CHASSIS KITS

All chassis are kits tubing and rods are customer supplied

## KCR-2 drag racing chassis

Can be build as hard tail or no-bar chassis  
100% stainless with .030" thick rear tails  
Available in brushed or **BRUSHLESS** 9mm x 9mm motor mounts  
BRUSHLESS mounts are designated by .BL suffix on P/N

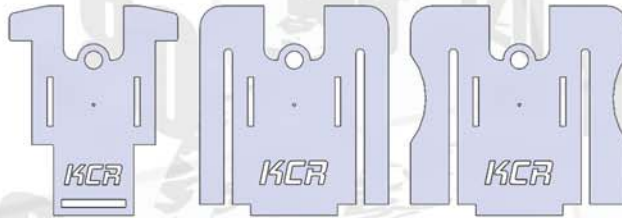


KCR-2SS  
KCR-2SS.BL

KCR-2SS(SHD)  
KCR-2SS(SHD).BL

KCR-2SS(HD)  
KCR-2SS(HD).BL

## KCR-2SS Nose Designations



KCR-2SS  
0.03" Thick Stainless  
9.7g nose weight

KCR2-SS (SHD)  
0.06" Thick Stainless  
32.6g nose weight

KCR-2SS (HD)  
0.06" Thick Stainless  
36.5g nose weight



Drag Racing Guide  
Nose Weight  
KCR-MGW  
5.7g



Dragster Guide  
Nose Weight  
KCR-SGW  
2.0g

# CHASSIS KITS

All chassis are kitst tubing and rods are customer supplied

## KCR-3SS dragster racing chassis

100% .030" stainless  
Brushed or BRUSHLESS motor mounts  
Brushless mounts are 9mm x 9mm and designated by .BL suffix on P/N



KCR-3SS  
KCR-3SS.BL

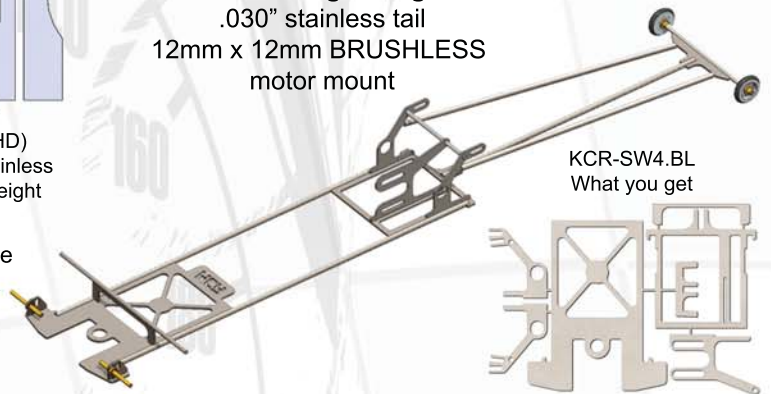
## KCR-SW3.BL dragster racing chassis

.030" stainless tail  
.06" brass nose  
9mm x 9mm BRUSHLESS motor mount



## KCR-SW4.BL drag racing chassis

.030" stainless tail  
12mm x 12mm BRUSHLESS motor mount



KCR-SW4.BL  
What you get

Visit [www.KCRacing.net](http://www.KCRacing.net) for assembly information, tech tips and new products

We reserve the right at any time, in our sole discretion, to make enhancements to replace, modify, discontinue or add to the Products, including revisions to any and all specifications for the Products.